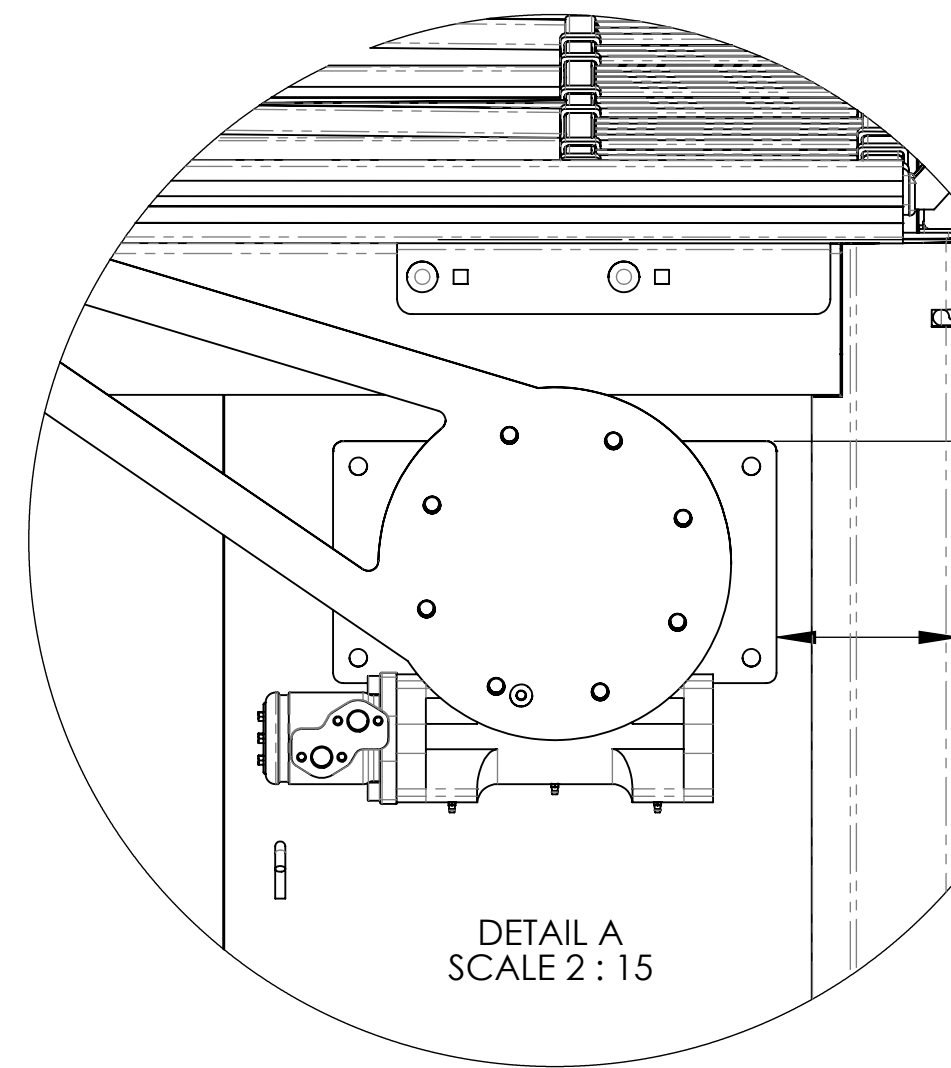


HPU Approximately here

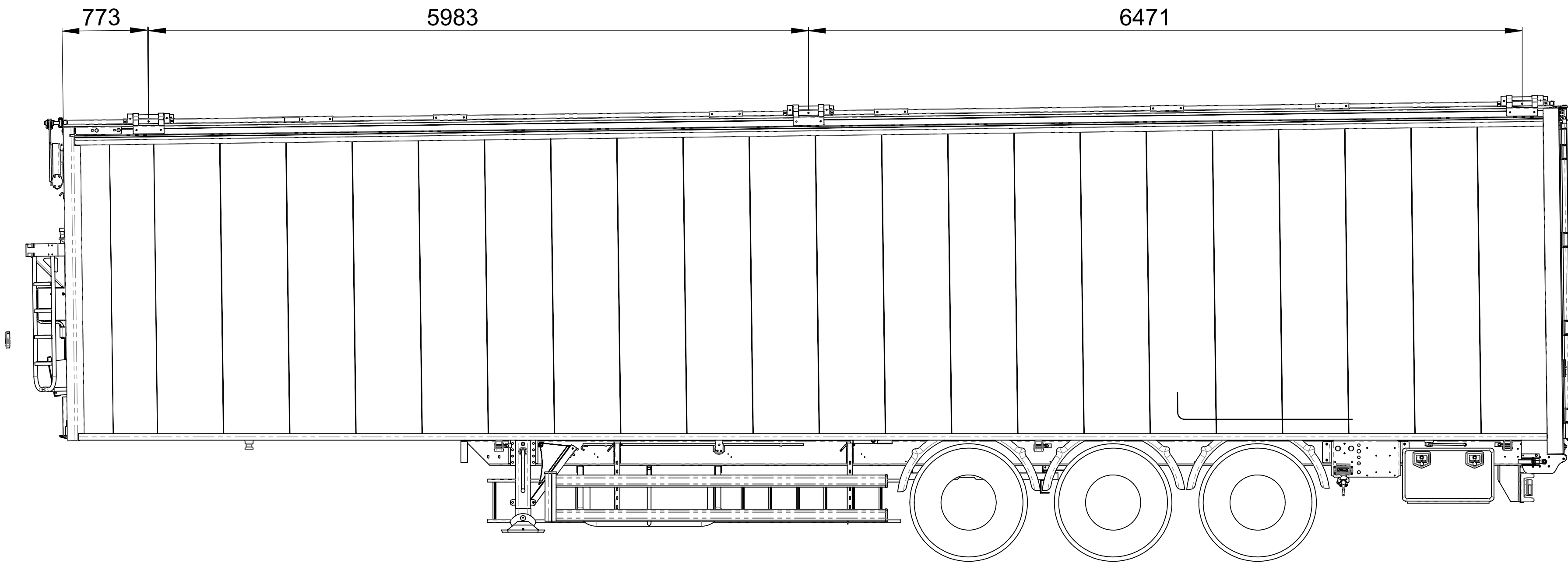


200  
From top of Trailer

180  
From side of Trailer

<p><b>REMOVE ALL BURRS AND SHARP EDGES</b></p> <p><small>PROPRIETARY AND CONFIDENTIAL THE INFORMATION CONTAINED IN THIS DRAWING IS THE SOLE PROPERTY OF C &amp; C HYDRAULICS LIMITED. ANY REPRODUCTION IN PART OR AS A WHOLE WITHOUT THE WRITTEN PERMISSION OF C &amp; C HYDRAULICS LIMITED IS PROHIBITED.</small></p>			UNLESS OTHERWISE SPECIFIED:	NAME	DATE	<p><b>C &amp; C HYDRAULICS LTD</b></p> <p>TITLE: <b>STAS TRAILER WITH SDSS - Setout</b></p> <p>SIZE DWG. NO. REV</p> <p>SCALE: 1:15 WEIGHT: SHEET 1 OF 2</p>
			DIMENSIONS ARE IN MM TOLERANCES: FRACTIONAL ±0.25 ANGULAR: MA CH ± BEND ± TWO PLACE DECIMAL ±0.1 THREE PLACE DECIMAL ±	DRAWN	07/11/24	
			INTERPRET GEOMETRIC TOLERANCING PER: MATERIAL	CHECKED		
			FINISH <b>N8</b> UNLESS OTHERWISE STATED	ENG APPR.		
	NEXT ASSY	USED ON	DO NOT SCALE DRAWING	MFG APPR.		
	APPLICATION			Q.A.		
				COMMENTS:		

Approximate Hinge positions from front of Trailer



**REMOVE ALL  
BURRS AND  
SHARP EDGES**

**PROPRIETARY AND CONFIDENTIAL**  
THE INFORMATION CONTAINED IN THIS  
DRAWING IS THE SOLE PROPERTY OF  
C & C HYDRAULICS LIMITED. ANY  
REPRODUCTION IN PART OR AS A WHOLE  
WITHOUT THE WRITTEN PERMISSION OF  
C & C HYDRAULICS LIMITED IS  
PROHIBITED.

UNLESS OTHERWISE SPECIFIED:

DIMENSIONS ARE IN MM  
TOLERANCES:  
FRACTIONAL  $\pm 0.25$   
ANGULAR: MACH  $\pm$  BEND  $\pm$   
TWO PLACE DECIMAL  $\pm 0.1$   
THREE PLACE DECIMAL  $\pm$

INTERPRET GEOMETRIC  
TOLERANCING PER:  
MATERIAL

FINISH **N8** UNLESS OTHER-  
WISE STATED  
DO NOT SCALE DRAWING

NAME	DATE
DRAWN	27/07/16
CHECKED	
ENG APPR.	
MFG APPR.	
Q.A.	
COMMENTS:	

**C & C HYDRAULICS LTD**

TITLE:

SIZE DWG. NO. REV

SCALE: 1:15 WEIGHT: SHEET 2 OF 2